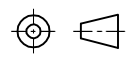


| CABLE LENGTH | TOLERANCE* |
|--------------|---|
| ALL LENGTHS | + 4% (OR 50mm) OF LENGTH - 0% (OR 0mm) OF LENGTH WHICHEVER IS GREATER |
| STRIP LENGTH | TOLERANCE* |
| 0-7mm | ±0.5mm |
| 8-29mm | ±1.0mm |
| 30-49mm | ±2.0mm |
| 50-69mm | ±3.0mm |
| 70-100mm | ±4.0mm |
| OVER 100mm | ±5.0mm |

* UNLESS OTHERWISE SPECIFIED

SOURCE DRAWING - FOR REFERENCE ONLY

NOTES:
1. "*" INDICATES CABLE LENGTH IN METERS. CONTACT TURCK TO ORDER SPECIFIC LENGTHS.

| | | | |
|--|---|--|--|
| RELATED DOCUMENTS 1. 2. 3. 4. | 3RD ANGLE PROJECTION  | THIS DRAWING IS CONFIDENTIAL AND THE PROPERTY OF TURCK INC. USE OF THIS DOCUMENT WITHOUT WRITTEN PERMISSION IS PROHIBITED. | 3000 CAMPUS DRIVE MINNEAPOLIS, MN 55441 1-800-544-7769 (763) 553-7300 (763) 553-0708 fax www.turck.us |
| MATERIAL SEE SPECIFICATIONS | DRFT JBJ APVD | DATE 02/11/03 SCALE 1=1.3 | DESCRIPTION VAS 22-B669-*M-RS 4T |
| FINISH SEE SPECIFICATIONS | UNIT OF MEASUREMENT MILLIMETER [INCH] | CONTACT TURCK FOR MORE INFORMATION | IDENTIFICATION NO. REV |
| I UPDATE VALVE END VIEW REV DESCRIPTION | KMY 01/16/14 BY DATE ECO NO. | DO NOT SCALE THIS DRAWING | FILE: 777001861 SHEET 1 OF 1 |